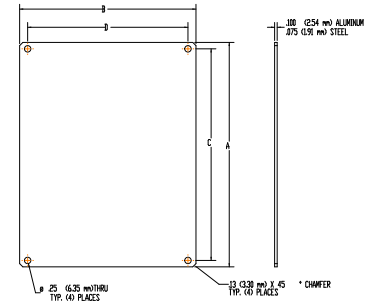


Polyline™ Series Optional Back Panels: “PL” Painted White Carbon Steel or “PLA” Aluminum

STEEL (P/N)	ALUM (P/N)	A	B	C	D
PL66	PLA66	4.81 122 mm	4.81 122 mm	4.25 108 mm	4.25 108 mm
PL86	PLA86	6.75 171 mm	4.88 124 mm	6.25 159 mm	4.25 108 mm
PL108	PLA108	8.75 222 mm	6.88 175 mm	8.25 210 mm	6.25 159 mm
PL120	PLA120	10.75 273 mm	8.88 226 mm	10.25 260 mm	8.25 210 mm
PL142	PLA142	12.75 324 mm	10.88 276 mm	12.25 311 mm	10.25 260 mm

All dimensions are in inches unless otherwise noted.



Polyline™ Series Optional Hinged Front Panels: “HFPP” aluminum panel systems

HFPP Kit (P/N)	Enclosure Base (P/N)	A	B	C	D	E
HFPP66	AMP664	5.44 138 mm	5.61 142 mm	2.64 67 mm	3.36 85 mm	4.19 106 mm
HFPP86	AMP864	7.44 189 mm	5.61 142 mm	4.64 118 mm	3.36 85 mm	6.19 157 mm
HFPP108	AMP1084	9.43 240 mm	7.63 194 mm	6.63 168 mm	5.38 137 mm	8.18 208 mm
HFPP120	AMP1206	11.55 293 mm	9.58 243 mm	8.63 219 mm	7.33 186 mm	10.13 257 mm
HFPP142	AMP1426	13.10 333 mm	11.25 286 mm	10.61 269 mm	9.00 229 mm	11.75 298 mm

All dimensions are in inches unless otherwise noted.

